



REACH IN REFRIGERATOR

D28AR

Top Mounted / Solid Door



i TECHNICAL SPECIFICATIONS

- Voltage/Frequency 115V/60Hz
- Refrigerant R290
- Type of Defrost Automatic
- Interior Material Stainless Steel
- Exterior Material Stainless Steel
- Temperature Range °F 33 ~ 41°F
- Compressor Power (HP) 1/5
- Nema Config. NEMA5-15P



PRODUCT FEATURES

- The compressor is mounted in the top and placed in the coolest possible area; this makes it easily accessible for servicing.
- Digital temperature controls with LED display for precise adjustment and automatic defrosting system.
- Temperatures in the cabinet range from 33 to 41 degrees Fahrenheit
- Self closing doors with stay open feature.
- R290 Natural Refrigerant promotes faster cool down and efficient energy consumption.
- Epoxy coated wire shelves.
- Stainless steel interior & exterior, sealed interior floors, and rounded cabinet corners for easy cleaning.
- High quality coated stainless adjustable shelves prevent peel and rust.
- Lifetime warranty on hinges.
- Adjustable front locking casters.



HIGH QUALITY STAINLESS STEEL & ROBUST DESIGN



Los Angeles | San Francisco | Dallas
Houston | Florida | Chicago | New Jersey

1-800-931-8628

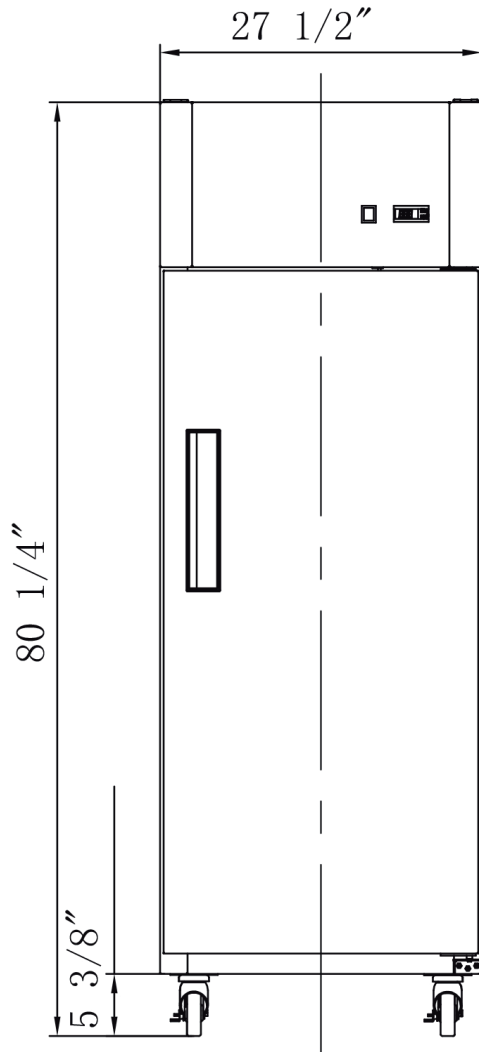
@ info@dukersusa.com

www.DukersUSA.com

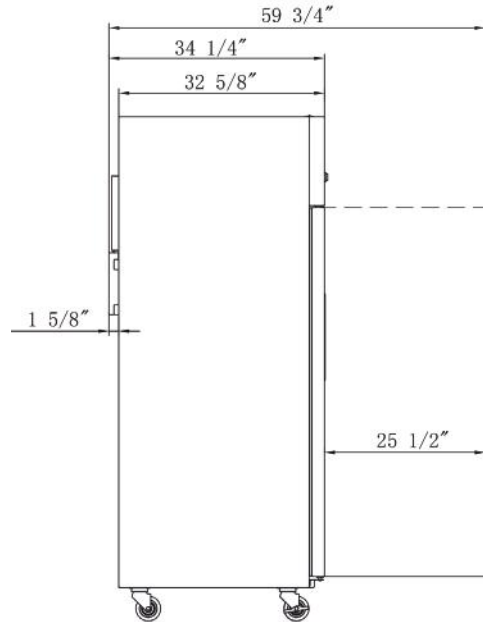
DETAILS & SPECIFICATIONS

D28AR

Front View



Side View



MODEL D28AR

| | |
|---------------------------|--------------|
| Rated Voltage | 115V |
| Rated Frequency | 60Hz |
| Total Input Power | 260W |
| Total Current | 3.1A |
| Total Capacity | 18.31 cu ft |
| Climatic Category | 4-5 |
| Protection Type | I |
| Design Pressure High Side | 300 PSIG |
| Design Pressure Low Side | 150 PSIG |
| Insulation Blowing Gas | C-Pentane |
| Refrigerant | R290/3.17 oz |

| MODEL | EXTERNAL DIMENSION WXDXH (INCHES) | PACKAGING DIMENSION WXDXH (INCHES) | PRODUCT NET WEIGHT | # OF SHELVES | 40HQ CONTAINER CERT. |
|-------|--------------------------------------|---------------------------------------|-----------------------|-----------------|-------------------------|
| D28AR | 27 1/2 x 34 1/2 x 80 1/4 | 29 1/8 x 35 1/2 x 82 1/4 | 286 lbs | 4 | 39 |



Los Angeles | San Francisco | Dallas
Houston | Florida | Chicago | New Jersey

1-800-931-8628

info@dukersusa.com

www.DukersUSA.com