

Item # \_\_\_\_\_  
 Qty # \_\_\_\_\_  
 Model # \_\_\_\_\_  
 Project # \_\_\_\_\_



**DUKERS**  
 Quality Commercial Refrigeration



# HOT PLATE TWO BURNER DCHPA12



Catch Tray



Surface



Legs



## PRODUCT DESCRIPTION

- ✦ Stainless steel exterior and interior.
- 🔥 32,000 BTU stainless steel burners with standby pilot.
- 🍳 Lift-off cast iron burner.
- 📏 Independent manual controls every 12".
- ❄️ "Cool-to-the-touch" front s/s edge.
- 🌡️ Each hot plate is shipped with Standard Natural Gas, LP conversion kit.
- 📏 Adjustable, stainless steel legs standard.
- 🧼 Full length seamless drip pan, easy to remove and clean.



## HIGH QUALITY STAINLESS STEEL & ROBUST DESIGN

HOT PLATE MODEL	DIMENSION		
	Width	Depth	Height
DCHPA12	12 in	28 3/4 in	13 3/8 in



Los Angeles | San Francisco | Dallas  
 Houston | Florida | Chicago | New Jersey

📞 1-800-931-8628

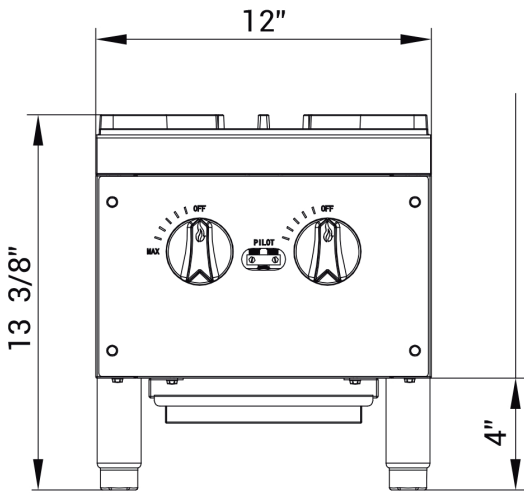
@ info@dukersusa.com

www.DukersUSA.com

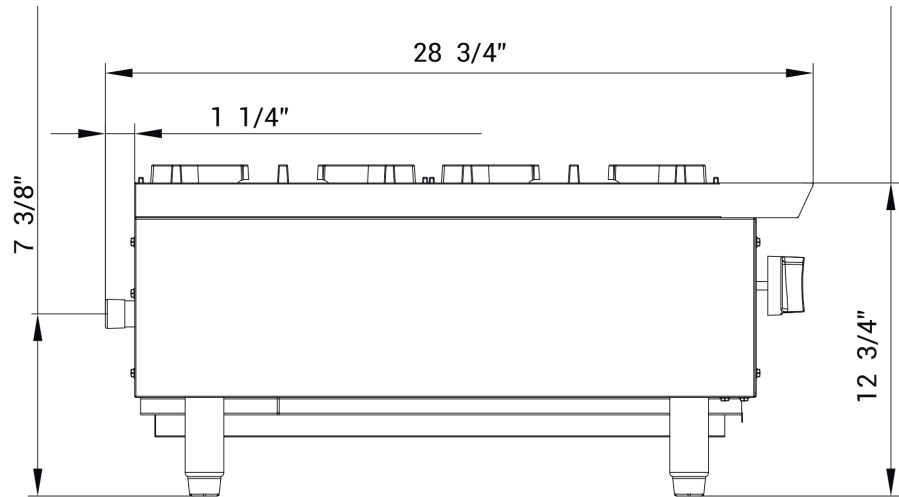
# DETAILS & SPECIFICATIONS

## HOT PLATE DCHPA12

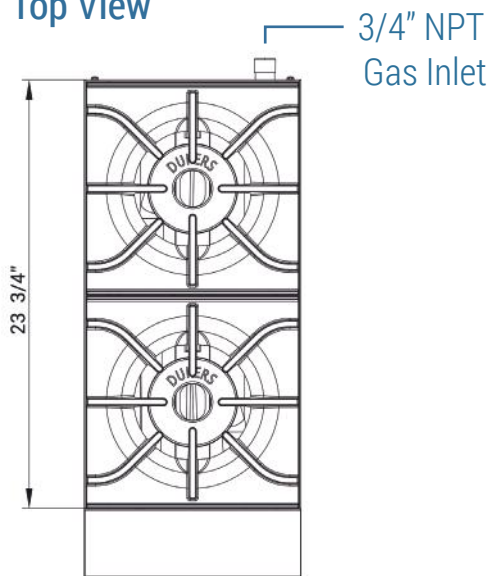
Front View



Side View



Top View



### DCHPA12

GAS SOURCE	NG/Propane
WORK AREA	11.81x23.62in
BURNER	2 count
SINGLE BURNER	32,000 BTU/H
COMBINED	64,000 BTU/H
GAS PRESSURE	NG: 4 "WC Propane: 10 "WC
NOZZEL	NG: 40# Propane: 52#
CONTAINER FITMENT	480



Model	Packaging Dimensions (inches)			Net Weight (lbs)	Ship Weight (lbs)
	W	D	H		
DCHPA12	14 1/8"	32 5/8"	17 3/4"	66.14	88.18



Los Angeles | San Francisco | Dallas  
Houston | Florida | Chicago | New Jersey

1-800-931-8628

@ info@dukersusa.com

www.DukersUSA.com