



DUKERS
Quality Commercial Refrigeration



DUKERS
Commercial Refrigeration
Equipment



GLASS DOOR MERCHANDISER

LG-430

Single Glass Swing Door Refrigerator



TECHNICAL SPECIFICATIONS

Voltage/Frequency

115V/60Hz

Refrigerant

R290

Type of Defrost

Automatic

Interior Finish

White

Exterior Finish

Black

Temperature Range °F

33 ~ 40°

Compressor Power (HP)

1/5

Nema Config.

NEMA5-15P



PRODUCT FEATURES



Equipped with Locking Doors.



The compressor is mounted in the bottom for better heat evaporation.



Digital temperature controls with LED display for precise adjustment and automatic defrosting system.



Temperature Range 33 ~ 40°F, with auto defrost function, which ensures optimal performance day-in and day-out.



R290 Natural Refrigerant promotes faster cool down and efficient energy consumption.



Interior and canopy LED light with switch on the right side to always show your products at their best



High quality coated stainless adjustable shelves prevent peel and rust.



Anti-fogging tempered glass door helps ensure a crystal clear view of the interior.



HIGH QUALITY & ROBUST DESIGN



DUKERS

Los Angeles | San Francisco | Dallas
Houston | Florida | Chicago | New Jersey

 1-800-931-8628

 info@dukersusa.com

www.DukersUSA.com

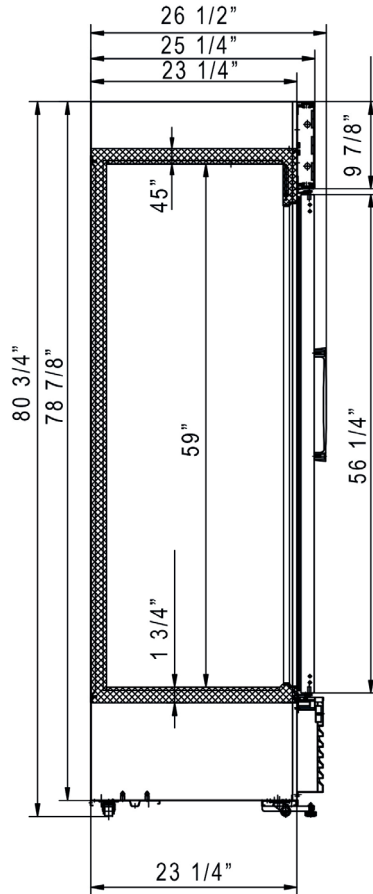
DETAILS & SPECIFICATIONS

LG-430

Front View

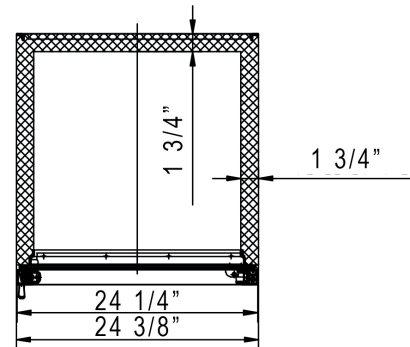


Side View



MODEL LG-430

Rated Voltage	115V
Rated Frequency	60Hz
Total Input Power	300W
Total Current	2.9A
Total Capacity	15.2cu ft
Climatic Category	4-5
Protection Type	I
Design Pressure High Side	300 PSIG
Design Pressure Low Side	150 PSIG
Insulation Blowing Gas	C-Pentane
Refrigerant	R290



MODEL	EXTERNAL DIMENSION WXDXH (INCHES)	PACKAGING DIMENSION WXDXH (INCHES)	PRODUCT NET WEIGHT	# OF SHELVES	40HQ CONTAINER CERT.
LG-430	24 3/8 x 26 1/2 x 80 3/4	25 3/8 x 27 1/2 x 81 3/4	214 lbs	4	51



Los Angeles | San Francisco | Dallas
Houston | Florida | Chicago | New Jersey

1-800-931-8628

@ info@dukersusa.com

www.DukersUSA.com