



**DUKERS**  
Quality Commercial Refrigeration

Item # \_\_\_\_\_

Qty # \_\_\_\_\_

Model # \_\_\_\_\_

Project # \_\_\_\_\_



# ELECTRIC FRYER

DCF7E 1 basket / 3L

High efficiency hotline, fast heating speed, uniform temperature, and energy saving.



Oil tank



Fryer Baskets



Knobs



## PRODUCT DESCRIPTION

- ✦ The furnace body is made of stainless steel, and the oil basin is thickened stainless steel, resulting in a robust structure that boasts exceptional durability.
- 🔧 The whole machine design is novel, reasonable structure and convenient operation.
- 💡 Humanized cooking, easy and comfortable.
- 👂 The handles are designed to remain cool to the touch, preventing burns and providing a comfortable grip. Additionally, the detachable parts make cleaning effortless.
- 🌡️ The thermostat is designed with a power button switch to extend its lifespan, as well as automatic heating shut-off when the desired temperature is attained, and automatic restart when the temperature falls below the set point.



## HIGH QUALITY STAINLESS STEEL & ROBUST DESIGN

| FRYER MODEL | DIMENSION |       |           |
|-------------|-----------|-------|-----------|
|             | Width     | Depth | Height    |
| DCF7E       | 11 3/4 in | 15 in | 11 1/8 in |

\* All measures are presented in Inches



Los Angeles | San Francisco | Dallas  
Houston | Florida | Chicago | New Jersey

📞 1-800-931-8628

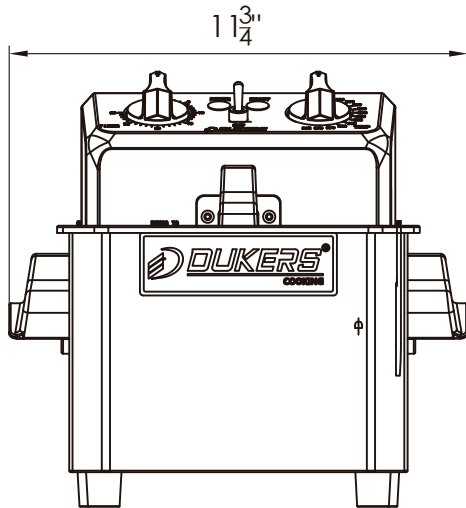
@ info@dukersusa.com

www.DukersUSA.com

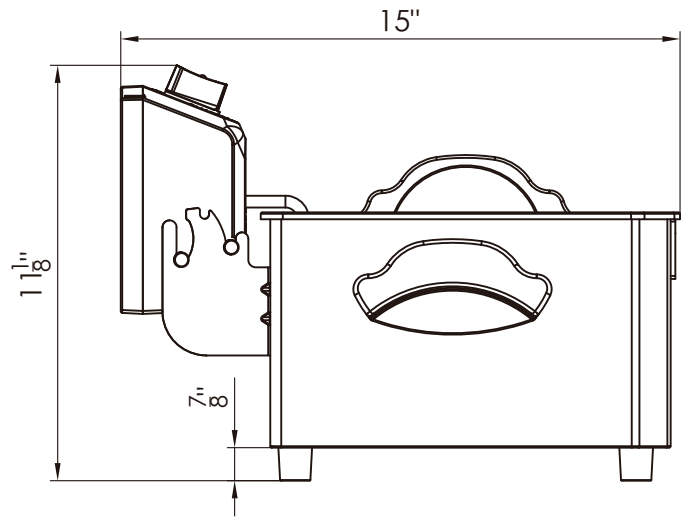
# DETAILS & SPECIFICATIONS

## ELECTRIC FRYER DCF7E

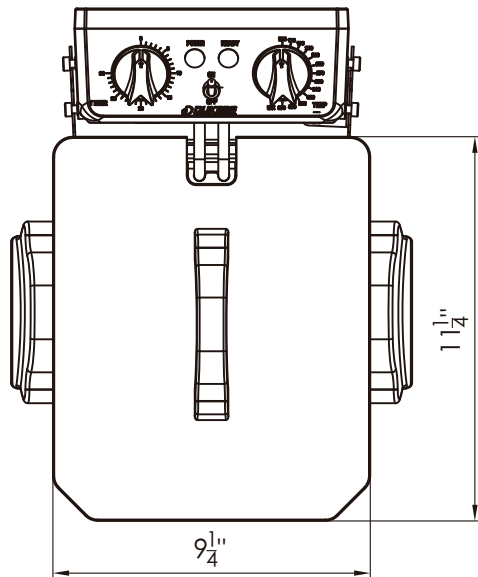
Front View



Side View



Top View



### DCF7E

|                       |                  |
|-----------------------|------------------|
| BASKET SIZE           | 7"x6 1/2"x3 3/5" |
| NUMBER OF BOXES       | 1                |
| CYLINDER CAPACITY (L) | 3L               |
| VOLTAGE (V)           | AC120            |
| POWER (W)             | 1780W            |
| NEMA (Plug Type)      | 5-15P / 5-20P    |
| CURRENT (A)           | 14.83A           |

| Model | Packaging Dimensions (inches) |         |         | Net Weight (lbs) | Ship Weight (lbs) |
|-------|-------------------------------|---------|---------|------------------|-------------------|
|       | W                             | D       | H       |                  |                   |
| DCF7E | 14"                           | 17 7/8" | 13 3/8" | 10.8             | 13.2              |



Los Angeles | San Francisco | Dallas  
Houston | Florida | Chicago | New Jersey

1-800-931-8628

@ info@dukersusa.com

www.DukersUSA.com