



Dukers Merchandiser Instruction Manual



Customer Service: 1- (800) 931-8628

IMPORTANT SAFETY INSTRUCTIONS

Read these instructions for use carefully before using the device. Observe all safety instructions, so as to avoid damage through improper use.

1. Keep this instruction manual for future use. Should this appliance be passed on to a third party, this instruction manual must be handed over.
2. This appliance is heavy. To prevent injury or damage to it, unpack and set up by two people.
3. Never use a damaged appliance! Disconnect the appliance from the mains outlet and contact your supplier, if it is damaged.
4. Connect and install this appliance in strict compliance with the relevant instructions in this manual.
5. Only use the appliance for its intended use. The appliance is intended for commercial use.
6. No responsibility is accepted for damage resulting from improper use or non-compliance with the instructions.
7. Only use the appliance indoors.
8. **Danger of electric shock!** Never try to repair the appliance yourself. Refer to qualified customer service outlet for maintenance and repairs.
9. Regularly check the power plug and power cord for damage. A damaged power cord has to be replaced by the manufacturer, his customer service or a similar qualified person in order to avoid danger of injury.
10. Before inserting the power plug into the mains outlet, check that the power supply voltage and current rating corresponds with the power supply details shown on the appliance rating label.
11. Avoid damage to the power cord. Do not squeeze, bend or scour on sharp edges. Keep away from hot surfaces and naked flames.
12. Please connect the earthing wire to the terminal of equipotentiality by qualified technician.
13. For your safety, only connect the appliance with a properly earthed mains outlet. Unplug the appliance immediately if you get an electric shock when touching the appliance.
14. Do not pull on the power cord. Only pull on the plug. Do not wrap the power cord around the appliance.
15. This appliance must be earthed!
16. Securely route the power cord that no unintentional pulling or tripping over it is possible.
17. Connect the power plug with an easy reachable mains outlet that in case of an emergency the appliance can be unplugged immediately.
18. Never use accessories, which are not recommended by the manufacturer. They could pose a danger to the user and might damage the appliance. Only use original accessories.

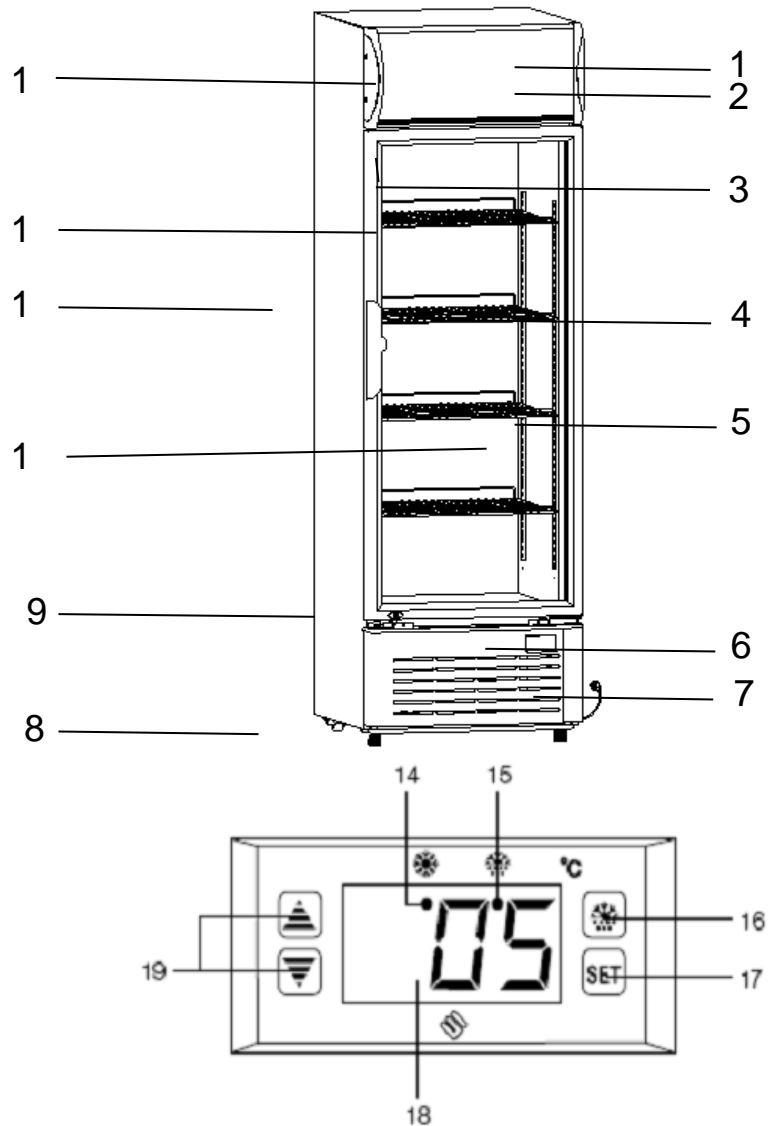
19. The appliance is powered when connected to the power supply.
20. **Warning!** Do not insert any objects into the casing of the appliance.
21. Do not open the casing.
22. Do not obstruct or cover the ventilation openings. Keep the appliance well ventilated all time.
23. Should the cover of the lights fall off or break, unplug the appliance immediately and contact qualified personnel for repairs.
24. This appliance can be used by children aged from 8 years and above and persons with reduced physical, sensory or mental capabilities or lack of experience and knowledge if they have been given supervision or instruction concerning use of the appliance in a safe way and understand the hazards involved. Children shall not play with the appliance. Cleaning and user maintenance shall not be made by children unless they are aged from 8 years and above and supervised.
25. Do not keep the key of the appliance lock near or within reach of children. Please double check and confirm there is no person inside the appliance before locking the door.
26. Do not touch the appliance with wet or damp hands. Do not operate the appliance with wet hands or standing on a wet floor.
27. **Warning!** During cleaning or operation do not immerse the appliance in water or other liquids. Do not clean the appliance with a garden hose.
28. Should water flow into the appliance, immediately unplug the appliance and let it be inspected by qualified personnel before using again.
29. Unplug from the mains outlet when not in use and before cleaning.
30. Do not place combustible, explosive or volatile articles, corrosive acids or alkali in the appliance. Store high-proof spirits only in upright position and close them properly. Containers with flammable gases and liquids can leak at low temperatures and catch fire from electrical appliances sparking. **Danger of explosion!**
31. Make sure that no chemical substances get into the interior of the appliance.
32. **Warning!** This product is for food storage with containers. Do not place food without container.
33. Leaking oil can damage the rubber gaskets of the appliance. Make sure that products with oil are wrapped properly and cannot leak.
34. Keep the appliance away from any hot surfaces and naked flames.
35. Always operate the appliance on a level, stable, clean, heat resistant and dry surface.
36. Do not use the appliance in the proximity of explosive and inflammable vapors.
37. The minimal distance specification to the surrounding roadblock when fixing outside is 1 meter.

38. Do not damage any parts of the appliance which carry refrigerant by piercing, perforating, crushing, twisting or scraping.
39. **Danger of fire!** In event of refrigerant leakage, unplug the appliance, remove any ignition sources nearby, ventilate the room and contact your supplier. Avoid contact with the eyes as the refrigerant may cause serious eye injury. You can find details on the refrigerant on the rating label.
40. In case of fire unplug from the mains outlet or disconnect from the power supply in other way before taking firefighting measures. Warning! Do not spill water on the appliance when connected to the power supply. **Risk of electric shock!**
41. Do not accelerate the defrosting process by using mechanical devices, heating sources (candles or heaters) or other means. The emerging steam can cause short circuit and too high temperatures can damage the synthetic covering of the appliance.
42. Do not use electrical appliances in the inner compartment.
43. Take protective measures by prolonged skin contact with cold surfaces of inner compartment or with chilled products, e.g. wear gloves.
44. Never put warm or hot foods directly into the appliance.
45. Cover food to prevent smell and to keep fresh. Do not consume products which have been stored for too long to avoid food poisoning.
46. The maximum load for a shelf is 88 lbs.

INTENDED USE

Only use this appliance for cooling and storage of food and beverage for commercial purposes.

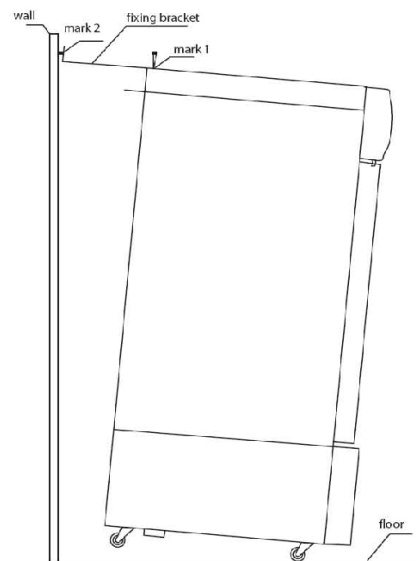
PART



- | | |
|--|---|
| 1. Display lamp ON/OFF switch I/O | 13. Display lamp |
| 2. Interior lamps ON/OFF switch I/O | 14. Cooling indicator |
| 3. Ventilation openings | 15. Defrosting indicator |
| 4. Shelves | 16. <small>ste</small> <small>ste</small> SE button (Note: The appliance has automatically defrost function. No need to set deforest manually) |
| 5. Door | 17. SET button |
| 6. Control panel | 18. LED display |
| 7. Power cord with power plug | 19. <small>D-Anzeige</small> <small>sten</small> buttons |
| 8. Castors | |
| 9. Lock | |
| 10. Interior lamps | |
| 11. Casing | |
| 12. Inner compartment | |

BEFORE FIRST USE

- Remove all packaging (→ Disposal instructions).
 - Check for completeness and transport damage. In case of damage or incomplete delivery please contact your dealer (→ Guarantee).
 - Clean the appliance (→ Cleaning).
- Place the appliance on a horizontal and stable surface with a maximum incline of 5%. If any incline please install the incline fixing bracket. For the installation, refer the picture on the right.
 - First, take out the screw at mark 1 and fix the fixing bracket with the screw at mark 1.
 - Drill a hole on the wall at mark 2 and fix the fixing bracket with M6 expansion bolt.
 - Note: screws are not included.



- all packaging (→ Disposal instructions).
- Check for completeness and transport damage. In case of damage or incomplete delivery please contact your dealer (→ Guarantee).
- Clean the appliance (→ Cleaning).
- Place the appliance on a horizontal and stable surface
- Try to position the appliance close to a wall, but leave enough space for ventilation to ensure good circulation and efficiency of the appliance.
- Please keep the appliance away from substance, which can cause ignition
- Do not position the appliance in direct sunlight or near any heat sources.
- Protect the appliance from moisture, extreme heat or cold.
- Climate class for the appliance: 4
- Climate class and matched temperature range for reference:

Test room climate class	Dry bulb temperature	Relative humidity
	°C	%
1	16	80
2	22	65
3	25	60
4	30	55
5	40	40

- The shelving components are packaged and shipped in the bottom of the fridge. There are two sets of “shelves” - wire racks and the weight sensing shelf.
 - After removing both sets of shelves from the fridge, remove the wiring channel covers on the back wall of the fridge. With the covers removed, the RJ-9 jacks into which the weight sensing shelves plug will be visible.
 - Carefully remove the wrapping from the weight sensing shelves. Remove the wire racks and install them at the desired heights within the fridge using the mounting clips provided. Mounting the wire racks at the standard positions indicated by the red indicator lines will result in the cleanest installation.
 - After installing all of the wire racks, then you can place the weight sensing shelves on top of the wire racks. Plug the RJ-9 plug for each shelf into the corresponding RJ-9 jack in the wiring channel on the back wall of the fridge.
 - After plugging in all the shelves at a given level, you can replace the wiring channel cover to hide the RJ-9 plug and jack connection. **Do this for each level of shelves.**
 - **Never use an extension cord – risk of overheating!** If the power cord (6) does not reach the nearest mains outlet, either rearrange your store layout or ask qualified personnel to fit a new outlet.
 - The appliance is fitted with castors (8), so that you can easily move it from one place to another.
- Warning!** Do not move the appliance across uneven floors or steps.
- If power is cut off, wait for at least 5 minutes before plugging the appliance in again to avoid damaging the compressor.

- **Warning!** Do not move the appliance across uneven floors or steps.
- **Important!** Allow the appliance to stand upright for 8 hours before connecting to a mains outlet for the first time, in order to allow the refrigerant to settle.


OPERATION

Operations means setting up the fridge for vending by defining the products you will sell and specifying which products will be on which shelves - this is called the planogram. Operations also includes stocking and restocking the shelves, getting sales reports, issuing refunds to customers and performing other tasks from time to time.

The ShelfX Merchant application is the control center for all of these activities. In this application you define products, including price, the planogram, generate pick lists for restocking, get sales reports by product and location, and deal with customer issues, if necessary.

- Connect the power plug (7) with the mains outlet.
- The showcase starts to work.
- The thermostat (digital temperature controller) is located at bottom of the appliance.
- After a few seconds the LED display (18) shows the actual inner compartment (12) temperature. The cooling indicator (14) lights up. The showcase automatically begins to cool down to the preset temperature.
- After the inner compartment temperature reaches the preset value, the cooling indicator (14) turns off as long as the inner compartment temperature is constant.
- The factory pre-set temperature range is between 0°-10°C, dependent upon model. **Do not adjust this within the first 24 hours!** After 24 hours adjust the temperature in gradual stages, if necessary.

Temperature adjustment:

- Press **SET** (17). The LED display (18) flashes. Select the desired temperature by pressing  buttons (19) and press **SET** (17) again to save the settings.
- The LED display (18) shows the actual inner compartment temperature. The cooling indicator (14) lights up. The showcase begins to cool down to the preset value.

Defrosting:

- The appliance is provided with an automatic defrost function. The defrosting automatically starts every 6 hours and lasts 20 minutes (factory setting).
- **Please do not change any factory settings!** These determine how your appliance works. Changing these settings makes your warranty void. Contact our service if you have any questions.

Switching the lamps on/off

- Press the ON/OFF switch **I/O** (1) to switch on/off the display lamp (13).
- Press the ON/OFF switch **I/O** (2) to switch on/off the interior lamps (10).

Locking the door

- Insert the key into the lock (9) and turn 90° clockwise to lock the door (5).
- Please double check and confirm that there is no person inside the appliance before locking the door (5).

CLEANING AND TROUBLESHOOT

- Disconnect the power supply before cleaning and maintenance, and remove any products to a suitable back-up showcase before cleaning.
- Take out all removable parts before cleaning.
- Clean the inner compartment (12), equipment parts and casing (9) with dry cloth. Do not allow the control panel (6), power cord with plug (7), ventilation openings (3), lamps (10, 13) or other electrical components become wet.
- Never use corrosive detergents, wire brushes, or abrasive scourers to clean your appliance.
- Never use metal or sharp implements to remove debris.
- Dry all surfaces thoroughly.
- Use dry cloth to clean the gaskets and seals. Check them for debris to ensure the doors (11) always closes properly.
- Do not remove or damage the rating label as it contains important data.

Replacing the lamps

- Be sure to disconnect power plug (7) before changing the display lamp (13) and interior lamps (10).
- Please do not replace the display lamp (13) and interior lamps (10) by yourself. Contact qualified personnel for this purpose.
- **Note:** the specification of replacement lamp should be the same as the original one.

DISPOSAL INSTRUCTIONS

Disposal of old appliances

- Disable discarded appliances by removing the plug and cutting through the power cord.
- Break any locks in order to avoid children and other persons becoming trapped. Remove the door before you dispose your product.
- **Warning - hazardous chemicals!** Do not allow children to play with the old appliance.
- Do not damage the refrigerant circuit during storage and transportation of old appliances! Make sure that the evaporator pipes, refrigerant circuit and surface coverings are not damaged. Avoid contact with the eyes as the refrigerant may cause serious eye injury.
- Do not store old appliance near heat and ignition sources. In event of leakage the refrigerant of this appliance is highly inflammable.
- Please note: the refrigeration system contains gases and refrigerants which require specialist waste disposal.

Disposal of packaging

All packaging materials should be disposed of in an environmentally friendly way. The cardboard may be used as scrap paper. The protective foil and the foam cushions are CFC – free. Do not allow children to play with the packaging and destroy plastic bags safely. You can break or cut the cardboard into smaller pieces and give to a waste paper disposal service.

Environmental protection

Discarded electric appliances are recyclable and should not be discarded in the domestic waste! Please actively support us in conserving resources and protecting the environment by returning this appliance to the collection centers (if available).

Note:

1. In case this product does not function correctly, please firstly check if there are other reasons, e.g. interruption of the power supply, or incorrect handling are the cause.
2. Please note that, where possible, the following documents or rather information should be provided together with your faulty product:
 - Purchase receipt
 - Model description/Type/Brand
 - Describe the fault and problem as detailed as possible

In the case of a claim for guarantee or defects, please contact the seller.



Customer Service: 1- (800) 931-8628

Email:

Info@dukersusa.com

Warranty@dukersusa.com

